



**Water engineering,  
committed to our  
environment.**

**GRIMMEL**  
WASSESTECHNIK



**“We are striving  
for a well-arranged  
and highly purified  
environment  
where we all can  
live in harmony.”**

**Walter Grimmel** – founder of the company 1993

# Cordial welcome.

“Clear thinking  
for clean water.”

**Olaf Grimmel** – CEO

Grimmel Wassertechnik develops creative and innovative products to make a noticeable contribution to keeping clean our bodies of water as the vital lifeline of humankind.

At Grimmel Wassertechnik we make the unthinkable conceivable and are a key trendsetter for an industry that is looking for new and high quality products.



## CORE COMPETENCIES

Screens

---

Compact Units

---

Grit Washers

---

Screenings Wash Press

---

Special machinery and System solutions

---

Control Technology

---

Installation and Commissioning

---

Service and Maintenance

---

Repair and Spare Parts

---

Rental Machines

---



# Everything from a single source. Everything Made in Germany.

## RESEARCH AND DEVELOPMENT

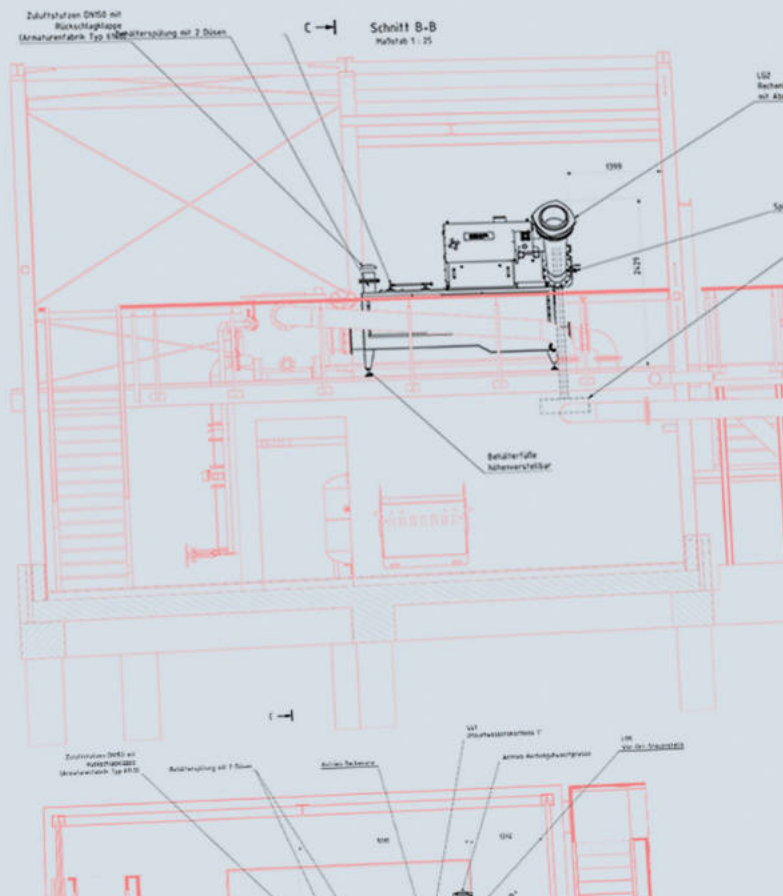
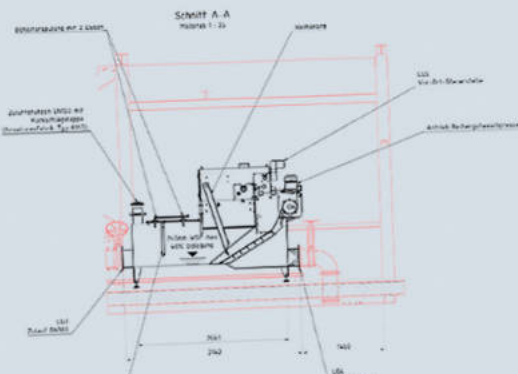
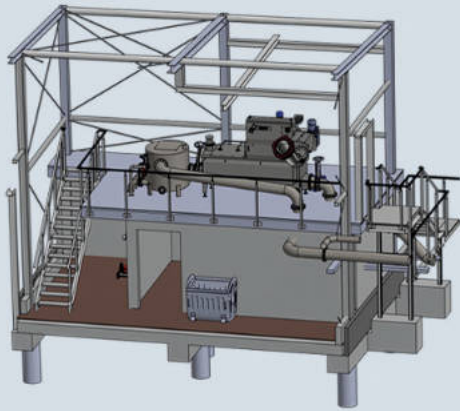
- › Customer-oriented predevelopment
- › Resolving customer problems

## PROJECT PLANNING

- › Client-focused
- › Target-oriented

## ORDER PROCESSING

- › Layout drawings in 2D/3D
- › Technical documentation



“Our highly integrated range of services offers a comprehensive quality of results for your project and a high operational reliability of your sewage treatment plant!”

**Michaela Scherkenbach** – Order processing

DESIGN AND  
MANUFACTURE

- › Completely in-house
- › Customized
- › Order-related

ASSEMBLY

- › Own assembly team
- › Measurement and control technology

SERVICE AND  
MAINTENANCE

- › Service technician
- › Fast response

# Partnership.

“We have been trustfully working together with GRIMMEL WATER TECHNOLOGY for over twenty years and are benefitting a lot from this cooperative customer relationship. A counterpart for all issues and topics. This excites me very much!”





“Robust, solid,  
low-maintenance.”

**Andreas Otto** – Operations manager Waste water association Oberes Usatal Usingen





“Our technology  
as source  
of a healthy  
environment.”

Joshua Grimmel – Production engineering

# Water engineering – Engineering services at its highest level.

MAXIMUM QUALITY, FLEXIBILITY AND DURABILITY  
OF YOUR FACILITY SOLUTION

Grimmel machinery and equipment solutions provide a maximum of flexibility in design and manufacturing for the specific customer requirements. Our customers can enjoy a top-quality consulting based on many years of practical experience in sewage treatment. According to our slogan “simple and durable” our solutions stand for

- › Cost efficient and solid system designs
- › Low-maintenance, as there are no moving parts under the water line
- › Long-term product consistency and continuous innovation

“For us Made in Germany means top quality combined with safety, reliability, environmental awareness and social responsibility.”

**Stefan Schneider** – authorized officer

# Flat-Fine Screen FFR.

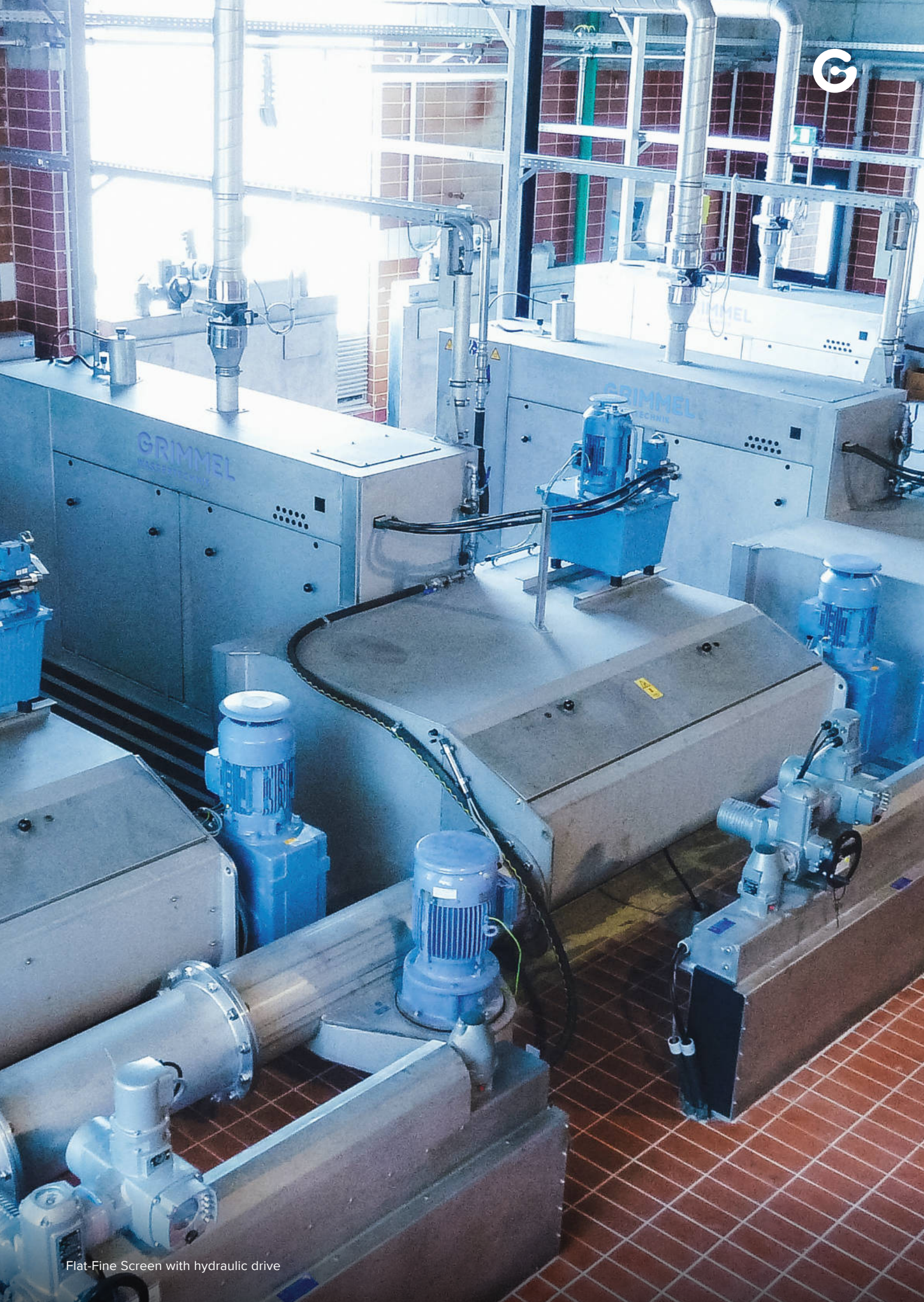
FLEXIBLE AND SAFE REMOVAL OF SOLIDS



Flat-Fine Screen with electric drive

In case finer particles have to be retained in the waste water supply, the patented low-maintenance Flat-Fine Screen is the best choice. Its gap width varies between 1 and 6 mm.

This screen is used with electric drive for channel depths up to 1.3 meters and in stainless steel tank applications. For channel depths over 1.3 meters the Flat-Fine Screen with hydraulic drive is used. The Screenings Wash Press is directly integrated.



Flat-Fine Screen with hydraulic drive

# Counterflow-Coarse Screen GSR.

SIMPLE – RELIABLE – APPROVED

“With the simple and effective design of our Counterflow-Coarse Screen we have created the best and most reliable solution in the market!”

**Stefan Albus** – Product design

The Counterflow-Coarse Screen, well-proven for decades, serves to ensure an optimal reliable extraction of coarse materials ahead of sensitive system parts (e.g. in front of pumping stations, rain basin inlet or heavily stressed Fine Screens). With a minimum gap width of 12 mm it protects the downstream installations.

Its operational safety and robustness – even in outdoor installations – speaks for this specific screen.



Counterflow-Coarse Screen

# Fiber Screen GriZor.

PREVENTING CLOGGING AND TRESSING IN THE BIOLOGICAL  
PURIFICATION



Our Fiber Screen GriZor is a patent pending, newly developed product which is designed specifically for the use after the mechanical purification in the sewage treatment. Human hair is one of the most stable organic substances which can align well to the waste water flow and can form pigtailed fibers. By rotary motions they twist to form huge braids. This often leads to malfunctions in pumps, agitators, ventilation system and unwanted deposits in digestion towers or blockages in the pipes. The result is high energy consumption or expensive maintenance work. This can be avoided by using our Fiber Screen.

# Compact Unit GriKo.

OUR SMALL COMPACT SOLUTION



The Compact Unit GriKo is our small compact solution for the screening and grit separation process, which provides a great performance to the fullest extent and functionality. In the operation of small sewage treatment plants with up to 10 l/s inflow rate the combination of Flat-Fine Screen and unventilated grit trap has proven itself for many years. The design of the system ensures lowest expenses for operation and maintenance as well as very good maintenance conditions.



# Cylindrical Grit Separator Compact Unit WS.

OUR ALL-ROUNDER



Our Cylindrical Grit Separator Compact Unit provides the complete mechanical pre-cleaning, screenings removal and treatment as well as the extraction of sand and grease all-in-one. All this saves up to 50% of space compared to conventional compact systems and with the same grit separation performance plus a much better operational accessibility.

It is extremely low-maintenance with low wear and tear due to the applied Flat-Fine Screen with integrated screenings wash press and the efficient grease and floating materials extraction technology. This installation also comes without a separate belt scraper for grease and floating materials.

# Grit Washer SWA.

A CLEAN SOLUTION



Grit Washers are fed with sediments out of the grit trap in order to wash out organic and fecal matters.

We offer two different types of Grit Washers: either for dry-charging of pre-drained grit sediments (e.g. from a screw-conveyor) or for wet-charging of sediments which are being pumped (e.g. vortex pump, arlift-pump etc.) out of the grit trap.



Grid Washer for wet charging

# Screenings Wash Press RGPW.

WASHING AND PRESSING



The Screenings Wash Press makes an optimal washing result and compression of the screenings material possible.

For transportation and compression of the screenings material after passing through the screening unit (e.g. our Counterflow-Coarse Screen GSR) our Screenings Wash Press RGPW is used. Through the specific process engineering and concept design very good washing and pressing results can be achieved with low maintenance effort.

# Special machinery and System solutions.

CONTACT US



**Conveyor** – for screenings, sludge and grit to link various equipment modules



**Scraper** – as round and long basin scraper for removing of sludge, grit and floating materials



**Mixing Reactor System** – effective interaction with a fine-bubble ventilation



**Sludge Receiving Station** – as system solution with a Flat-Fine Screen



**Sewer Sedimentation Reception Station** – for collecting of sewers, gully waste and road sweepings



**Steelwork structures and platforms**

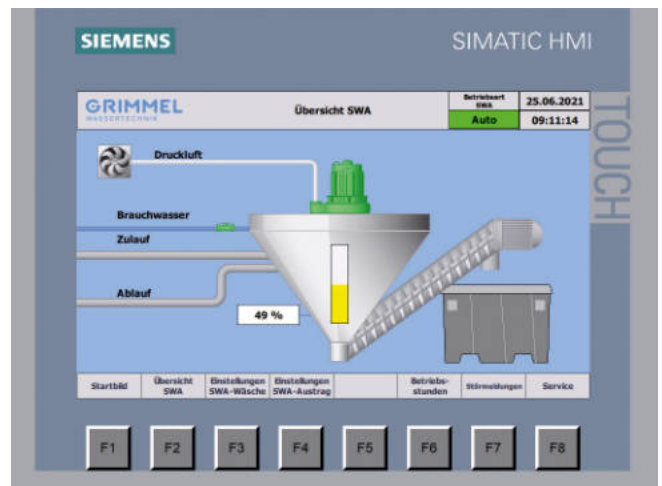
During over 50 years of experience in the market we have acquired an extensive know-how in the whole process of the sewage treatment technology. Our main focus in the mechanical waste water treatment is complemented by our extremely diverse knowledge in the areas of ventilation, agitator and circulation technology, scraper construction as well as the construction of pipework, steelwork structures and platforms. Our special machinery can be combined to system solutions with our conveyors and handling equipment for containers.

# Service, Maintenance and Control technology.

OUR KNOW-HOW – YOUR BENEFIT



**Rental screen** – Flat-Fine Screen inside a container during conversion work



**Control technology** – User-friendly and individually programmed

Our service team consists of professionally trained experts with many years of experience. There is a direct contact person for all your questions and requests, starting from an optimal customer support on-site, provided by the field service or our customer service engineers, further to individual and personal consulting while processing your order. In this way we can guarantee a fast response time.

Our professional maintenance work is carried out by our own technicians and includes inspections and functional checks of all system components, operations related to inspection, control and adjustment works, raw material replacement service, maintenance log preparation, consultation and optimization meetings.

The main focus of our control technology is the best possible adaptation of our machine technology to the actual circumstances of your sewage treatment plant. An individual adjustment by the sewage plant personnel is always possible.



**GRIMMEL**  
WASSESTECHNIK

“Fast customer assistance is my top priority.”

**Matthias Weißelberg** – Service manager



**Sales region North**

Olaf Grimmel  
Phone: +49 60 02 - 91 22 0  
o.grimmel@grimmel-wt.de



**Sales region East**

Tilo Röhr  
Phone: +49 170 5929063  
t.roehr@grimmel-wt.de



**Sales region West**

Kai Höhler  
Phone: +49 170 788 9373  
k.hoehler@grimmel-wt.de

**Sales region Central**

Phone: +49 60 02 - 91 22 0  
info@grimmel-wt.de



**Sales region South**

Ingo Köhler  
Phone: +49 160 2272536  
i.koehler@grimmel-wt.de





# **clean water engineering**



**GRIMMEL**  
WASSESTECHNIK

Grimmel Wassertechnik GmbH  
Dieselstraße 3  
D-61239 Ober-Mörlen  
Phone: +49 (0)60 02 - 91 22 0  
Fax: +49 (0)60 02 - 91 22 29  
info@grimmel-wt.de

[grimmel-wt.de/en](http://grimmel-wt.de/en)

